

Industrial Dry Chemical

High-Overhead (Screening) Nozzle



A UTC Fire & Security Company

Effective: March 2007

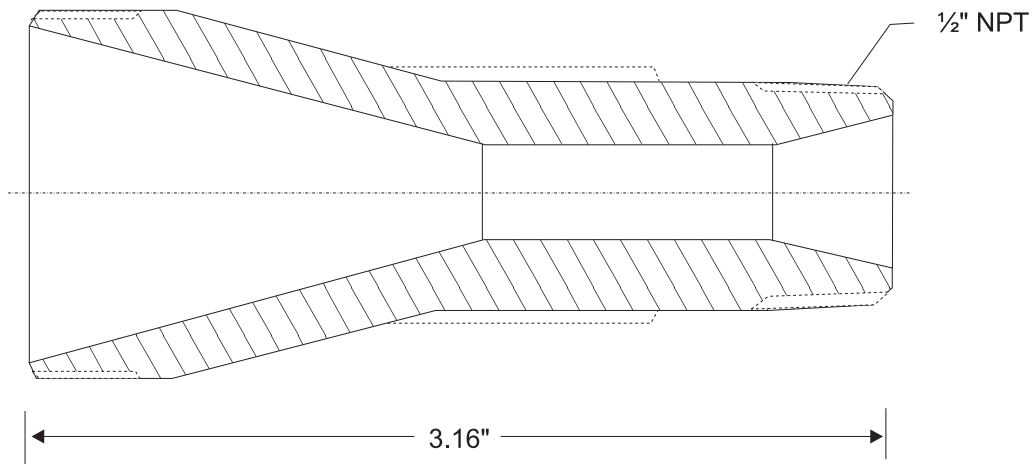
K-83-010

P/N: 259270

DESCRIPTION

The High-Overhead Nozzle uses the nozzle outlet to reduce the velocity of the dry-chemical discharge. The nozzle can be used at greater heights above the surface of flammable liquid.

High-Overhead Nozzles are designed to discharge a solid cone of dry chemical down onto a protected area from a fixed location above the protected area. Low-Overhead nozzles are designed to discharge a solid cone of dry chemical down onto a protected area from a fixed location above the protected area.



This literature is provided for informational purposes only. KIDDE-FENWAL, INC. assumes no responsibility for the product's suitability for a particular application. The product must be properly applied to work correctly. If you need more information on this product, or if you have a particular problem or question, contact KIDDE-FENWAL, INC., Ashland, MA 01721. Telephone: (508) 881-2000.